

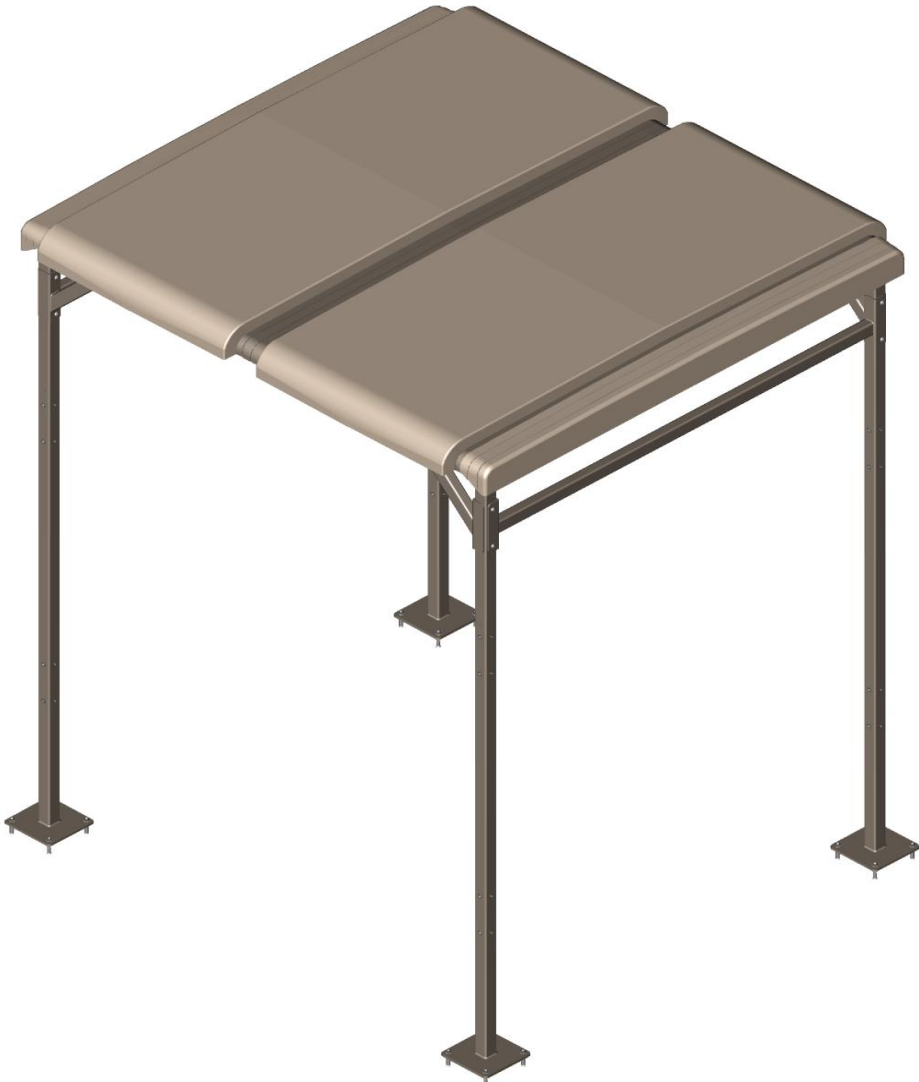
RELEASE DATE:	14-Oct-11	BY:	Gerri Mohr
REVISION DATE:		REV	A
PRODUCT NAME:	Basic Starter Shelter		
PRODUCT NUMBER:	16999 (BS2-S0N)		



ASSEMBLY INSTRUCTIONS

SCOPE:

This installation instruction will describe how to assemble a two-top shelter and secure it to a solid base.



Tools Needed

- | | | |
|--------------------|-----------------------|---------------------------|
| Carpenter's Level | 3/16" Hex Wrench | 3/8" Concrete Drill |
| Carpenter's Square | 7/32" Hex Wrench | Concrete Epoxy (optional) |
| Power Drill Motor | 1/2" Socket or Wrench | Hammer Drill Motor |



Lock Washer



Button Head Cap Screw



Carriage Bolt



Hex Head Screw



Flanged Lock Nut



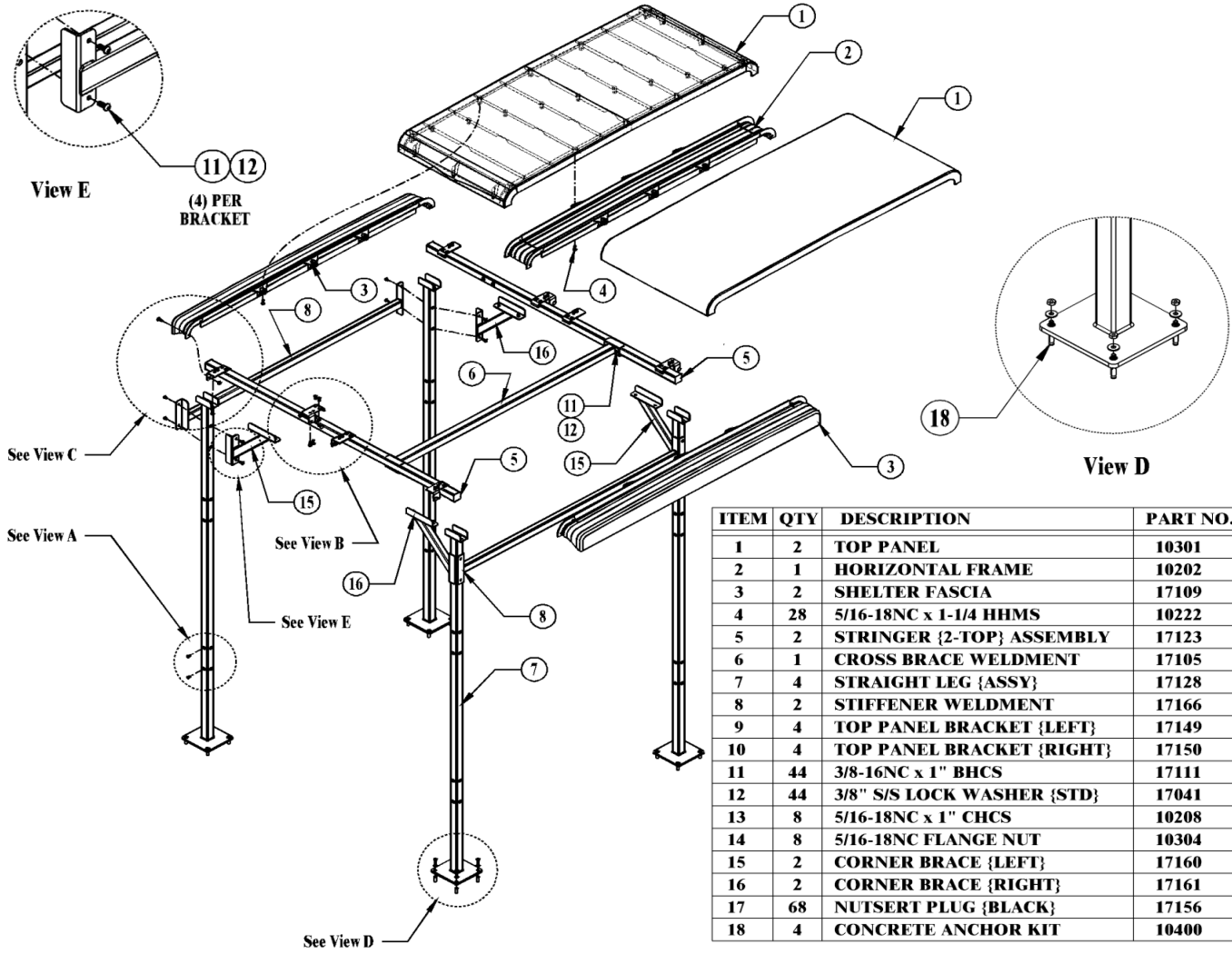
Anchor Bolt

**ALWAYS OBSERVE POSTED SAFETY GUIDELINES
WHEN ASSEMBLING THIS PRODUCT. ALWAYS WEAR SAFETY GLASSES**

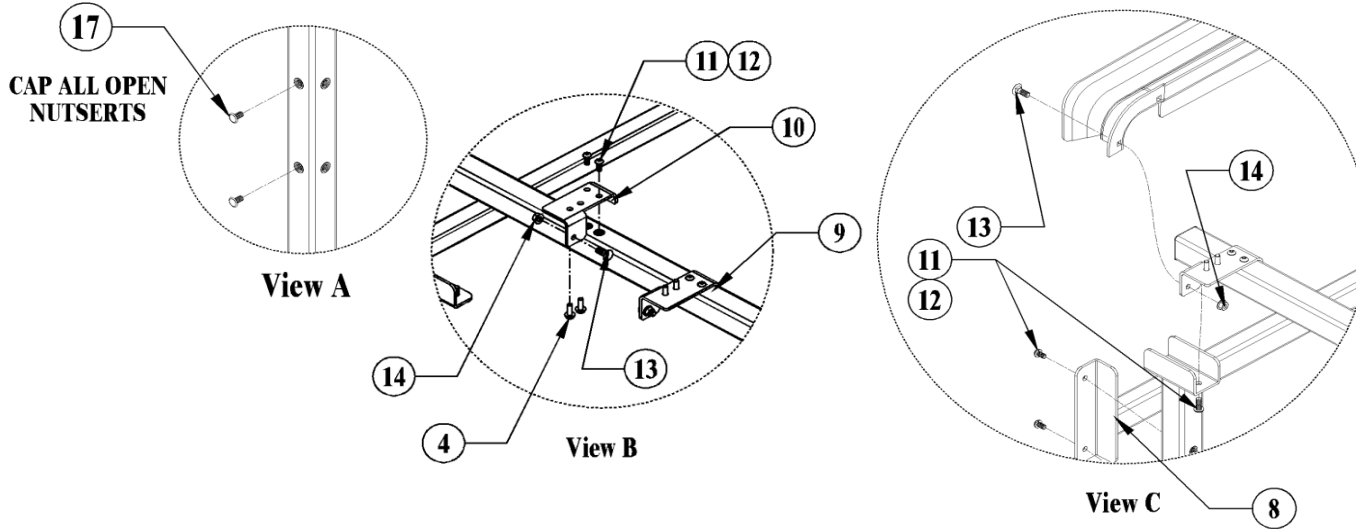
RELEASE DATE:	14-Oct-11	BY:	Gerri Mohr
REVISION DATE:		REV	A
PRODUCT NAME:	Basic Starter Shelter		
PRODUCT NUMBER:	16999 (BS2-S0N)		



ASSEMBLY INSTRUCTIONS



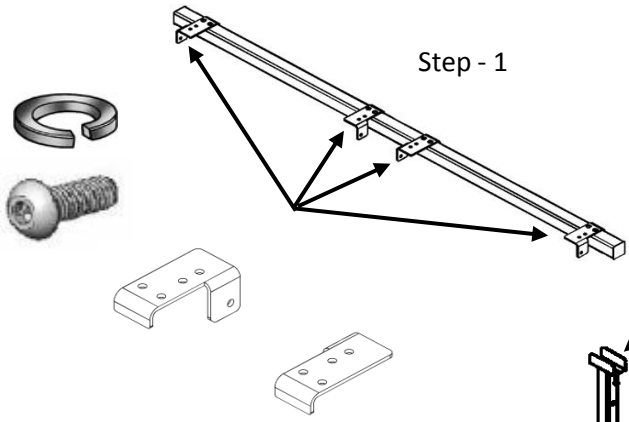
ITEM	QTY	DESCRIPTION	PART NO.
1	2	TOP PANEL	10301
2	1	HORIZONTAL FRAME	10202
3	2	SHELTER FASCIA	17109
4	28	5/16-18NC x 1-1/4 HHMS	10222
5	2	STRINGER {2-TOP} ASSEMBLY	17123
6	1	CROSS BRACE WELDMENT	17105
7	4	STRAIGHT LEG {ASSY}	17128
8	2	STIFFENER WELDMENT	17166
9	4	TOP PANEL BRACKET {LEFT}	17149
10	4	TOP PANEL BRACKET {RIGHT}	17150
11	44	3/8-16NC x 1" BHCS	17111
12	44	3/8" S/S LOCK WASHER {STD}	17041
13	8	5/16-18NC x 1" CHCS	10208
14	8	5/16-18NC FLANGE NUT	10304
15	2	CORNER BRACE {LEFT}	17160
16	2	CORNER BRACE {RIGHT}	17161
17	68	NUTSERT PLUG {BLACK}	17156
18	4	CONCRETE ANCHOR KIT	10400



RELEASE DATE:	14-Oct-11	BY:	Gerri Mohr
REVISION DATE:		REV	A
PRODUCT NAME:	Basic Starter Shelter		
PRODUCT NUMBER:	16999 (BS2-S0N)		

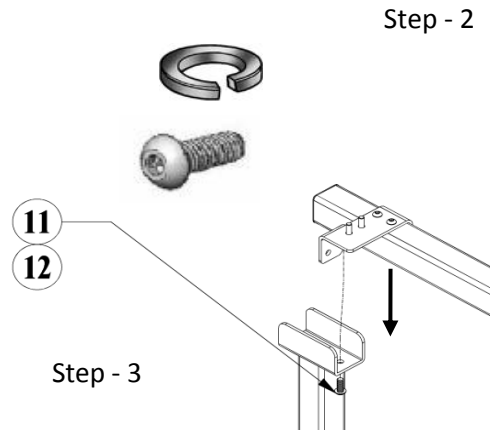


ASSEMBLY INSTRUCTIONS



Step - 1

1 Mount (2) pair of LH (17149) and RH (17150) panel brackets to the stringers using 3/8" screws (17111) and lock washer (17041).



Step - 2

2 Separate the four legs from the packaging. There are (4) common legs (17128).
 3 Using the 3/8" screw (17111) and lock washer (17041) locate and fasten the stringer to the front/rear legs sets at the "U" shaped saddle on top of the legs

11
12

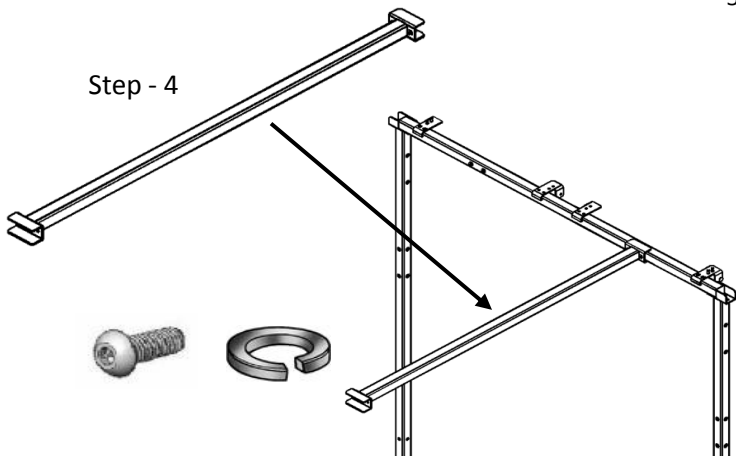
Step - 3

4 Locate and mount the Cross Brace (17105) to one set of Leg/Stringers using 3/8" screws (17111) and lock washer (17041).

Stand up one set of Legs/Cross Brace and mount to the remaining set of Legs/Stringer. Fasten together using the 3/8" screws (17111) and lock washers (17041).

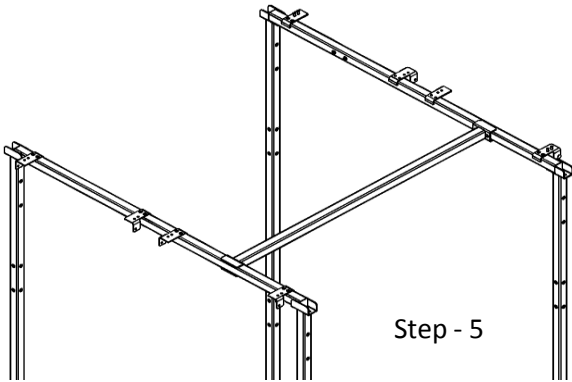
The framework should stand by itself

SQUARE THE LEGS AND STRINGERS BEFORE TIGHTENING



Step - 4

5 Adjust the leg spacing so they are all on the same outside dimension, including corner to corner



Step - 5

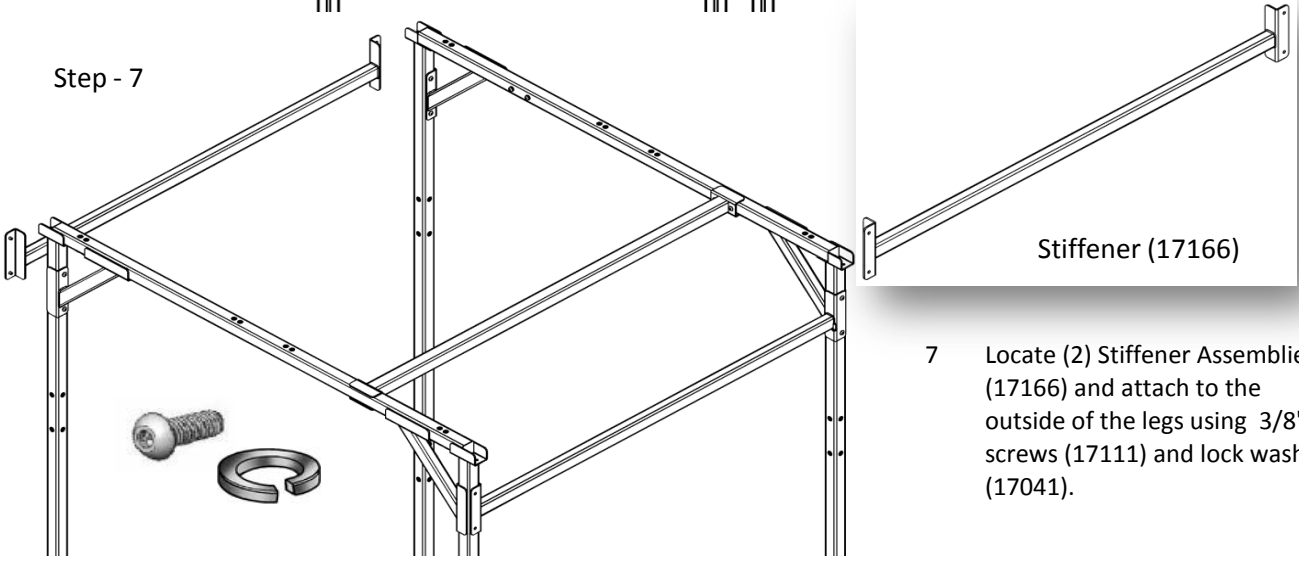
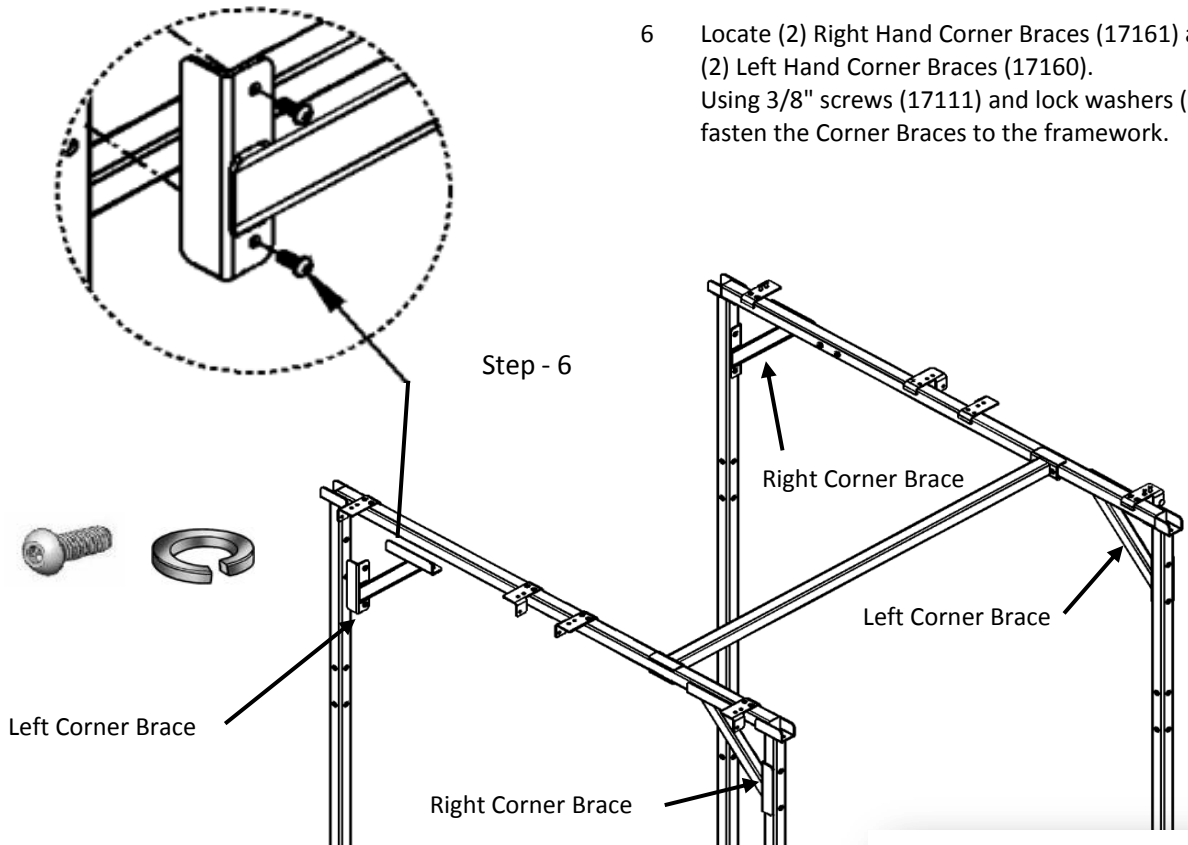
**ALWAYS OBSERVE POSTED SAFETY GUIDELINES
WHEN ASSEMBLING THIS PRODUCT. ALWAYS WEAR SAFETY GLASSES**

RELEASE DATE:	14-Oct-11	BY:	Gerri Mohr
REVISION DATE:		REV	A
PRODUCT NAME:	Basic Starter Shelter		
PRODUCT NUMBER:	16999 (BS2-S0N)		



ASSEMBLY INSTRUCTIONS

- 6 Locate (2) Right Hand Corner Braces (17161) and (2) Left Hand Corner Braces (17160). Using 3/8" screws (17111) and lock washers (17041) fasten the Corner Braces to the framework.



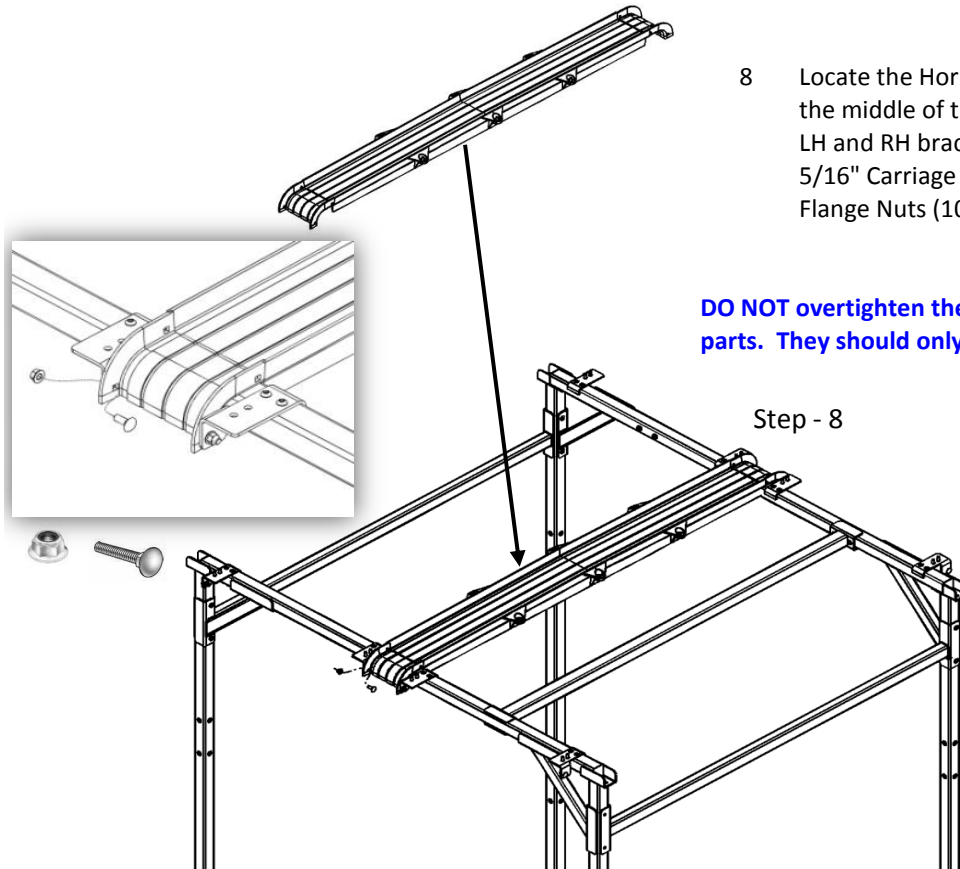
- 7 Locate (2) Stiffener Assemblies (17166) and attach to the outside of the legs using 3/8" screws (17111) and lock washers (17041).

**ALWAYS OBSERVE POSTED SAFETY GUIDELINES
WHEN ASSEMBLING THIS PRODUCT. ALWAYS WEAR SAFETY GLASSES**

RELEASE DATE:	14-Oct-11	BY:	Geri Mohr
REVISION DATE:		REV	A
PRODUCT NAME:	Basic Starter Shelter		
PRODUCT NUMBER:	16999 (BS2-S0N)		



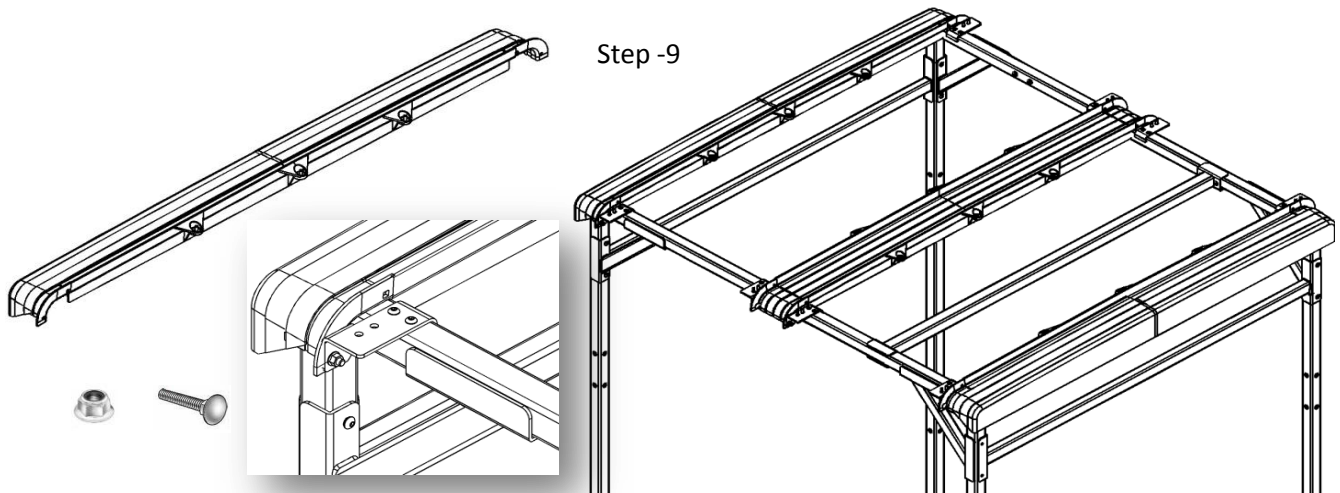
ASSEMBLY INSTRUCTIONS



- 8 Locate the Horizontal Frame (10202) down the middle of the leg framework using the LH and RH brackets. Fasten with 5/16" Carriage Bolts (10208) and Flange Nuts (10304).

DO NOT overtighten the fasteners to the SMC plastic parts. They should only be wrench snug!

Step - 8



Step - 9

- 9 Locate the Fascia Assembly (17109) along the outside of each leg framework using the 5/16" Carriage Bolts (10208) and Flange Nuts (10304)

**ALWAYS OBSERVE POSTED SAFETY GUIDELINES
WHEN ASSEMBLING THIS PRODUCT. ALWAYS WEAR SAFETY GLASSES**

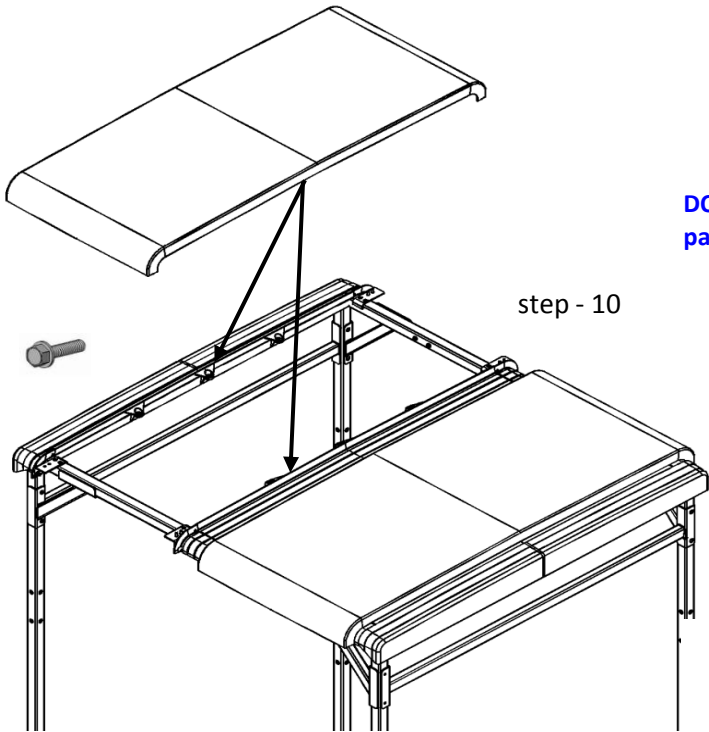
RELEASE DATE:	14-Oct-11	BY:	Gerri Mohr
REVISION DATE:		REV	A
PRODUCT NAME:	Basic Starter Shelter		
PRODUCT NUMBER:	16999 (BS2-S0N)		



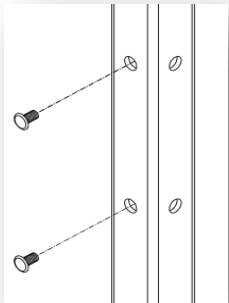
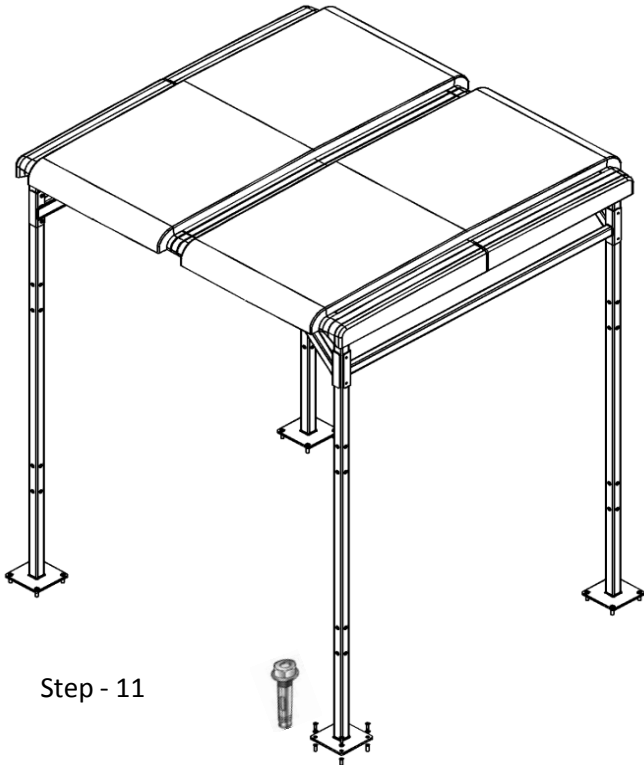
ASSEMBLY INSTRUCTIONS

- 10 Assemble the Top Panels (10301) to the Horizontal Frame (10202) and the Fascia Assembly (17109) using the 5/16" Hex Screws (10222).

DO NOT overtighten the fasteners to the SMC plastic parts. They should only be wrench snug!



- 11 Layout anchor bolt pattern using assembled shelter. Drill 3/8" diameter X 2" deep hole through the base plates and insert the anchors into holes (use the concrete epoxy for additional holding strength). Bolt through base plates into anchors.
- 12 Insert Nutsert Plugs (17156) into all open nutserts.



Step - 12

**ALWAYS OBSERVE POSTED SAFETY GUIDELINES
WHEN ASSEMBLING THIS PRODUCT. ALWAYS WEAR SAFETY GLASSES**